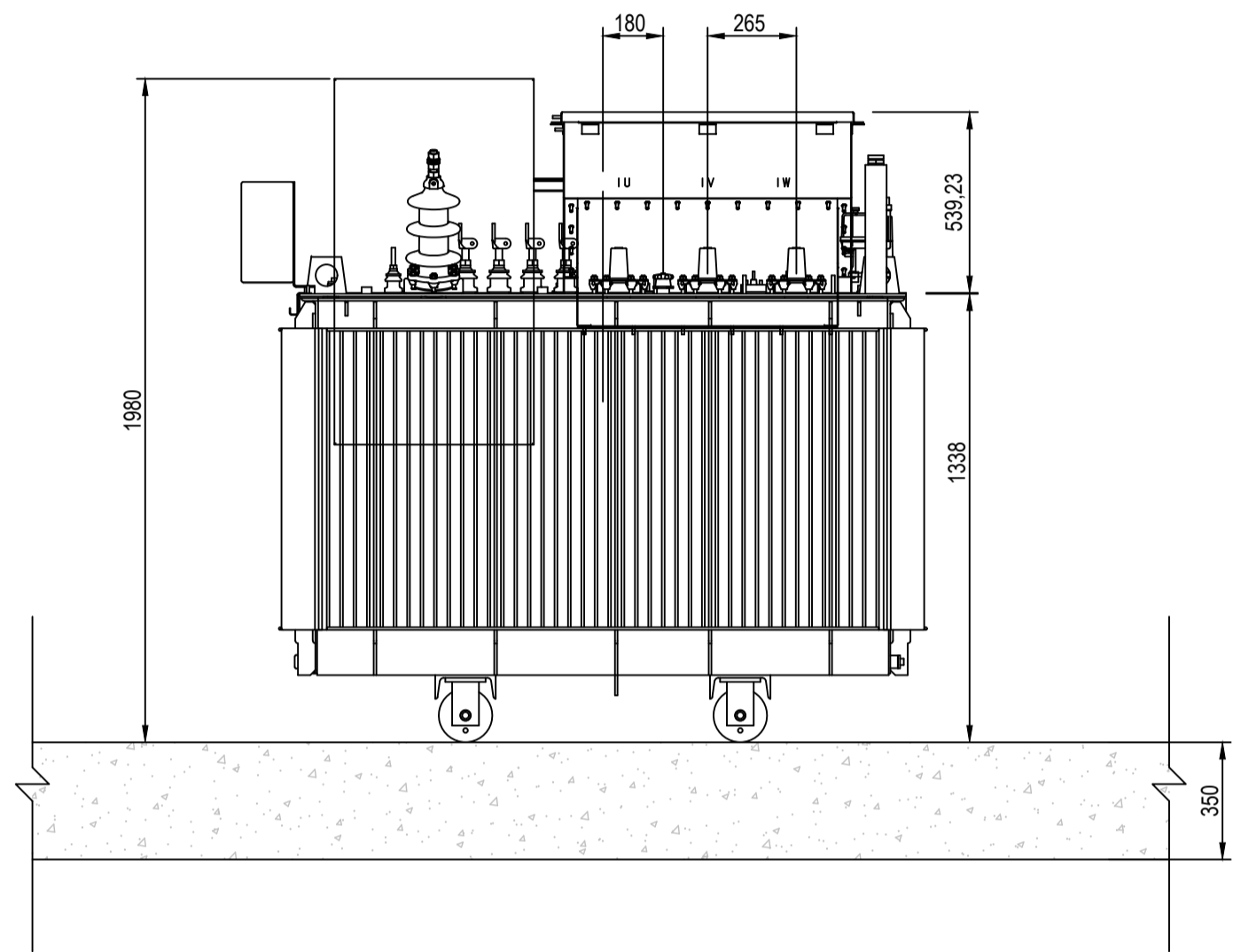
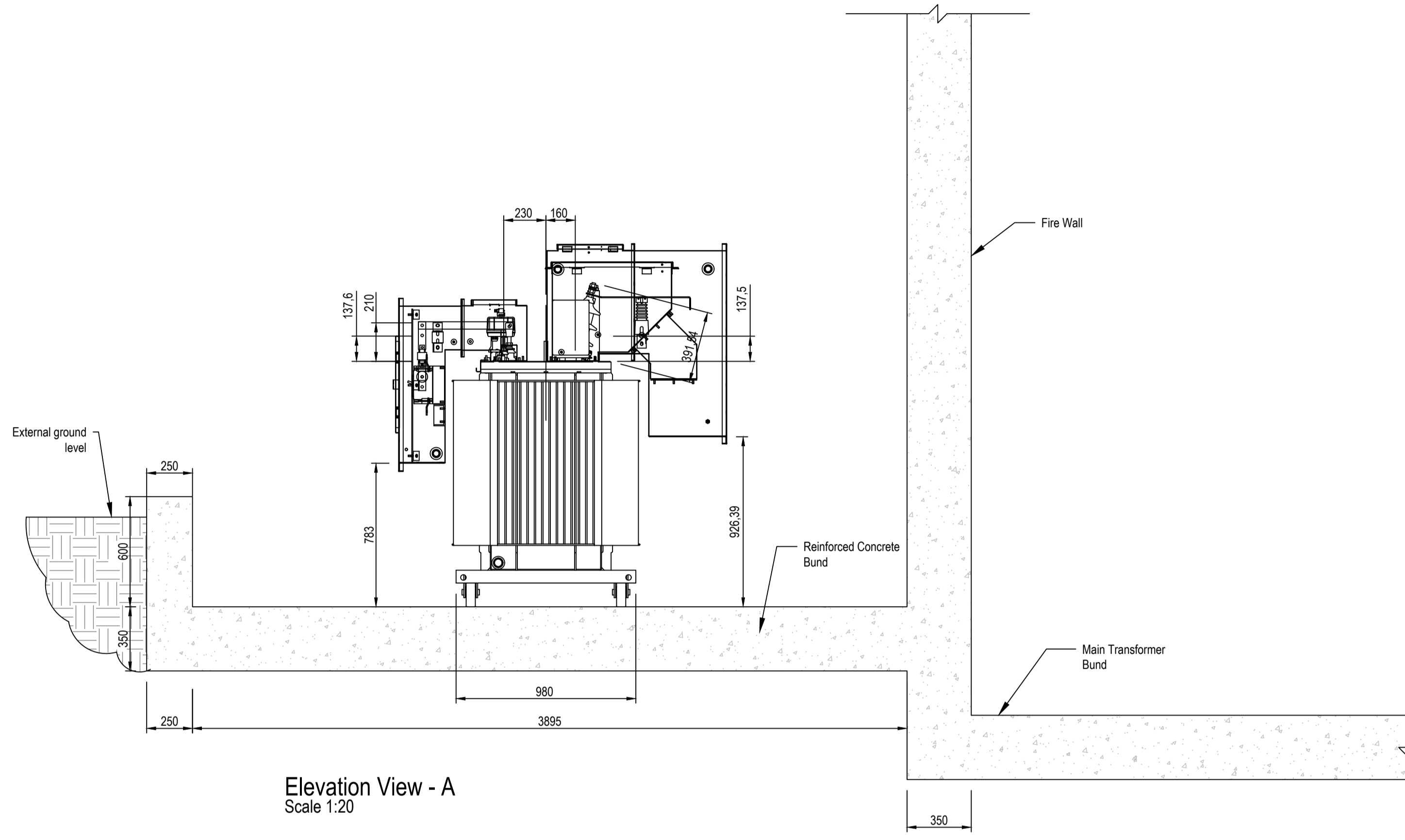


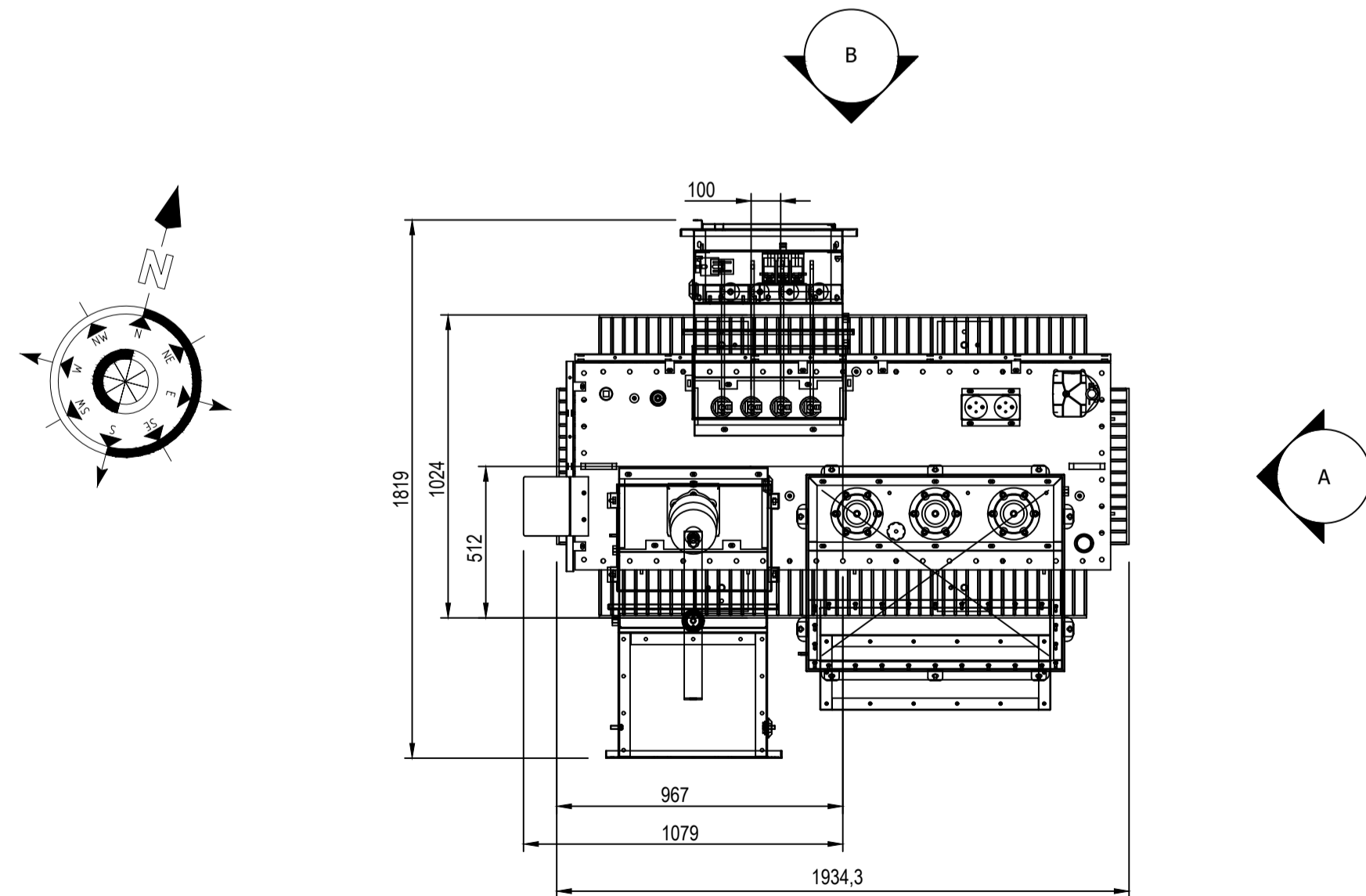
NOTES:



Elevation View - B  
Scale 1:20



Elevation View - A  
Scale 1:20



Plan View  
Scale 1:20

LEGEND:

Reinforced Concrete - Fire Wall

Rev	Date	Description	CHK	APP
02	02/08/2023	FIRE WALL TAGGED	SP	ES
01	20/07/2023	NORTH POLE ADDED	SP	ES
00	12/07/2023	FOR PLANNING	SP	ES

Revisions



Unit 35, McLoughlin Road, National Technology Park,  
Castletroy, Limerick  
Tel: 061 357496 Fax: 061 514736  
www.hmveng.ie  
Email: info@hmveng.ie

Project: MONVALLET HYBRID SOLAR & BESS  
110 KV SUBSTATION

Title: EARTHING/AUXILIARY TRANSFORMER UNIT

Date:	Drawn:	Designed By:	Checked By:	Approved By:
02/08/2023	AB	AB	PS	ES

Scale:	Project No:	Project Status:
1:20	A10XX	-

Project Code	Originator	Volume	Level	Type	Disc	Doc. No
A10XX-	HMV-	XX-	XX-	DR-	E-	0014

Status Code:	Suitability Description:	Revision:
-	-	02

COPYRIGHT H&MV ENGINEERING LIMITED  
All rights reserved. No part of this work may be amended, copied or reproduced in any form or manner or by any means whether graphic, electronic or mechanical, including but not limited to photocopying, recording, digitizing, or information and retrieval systems, or used for any other purpose but its designated one, without the written consent of H&MV ENGINEERING LIMITED.