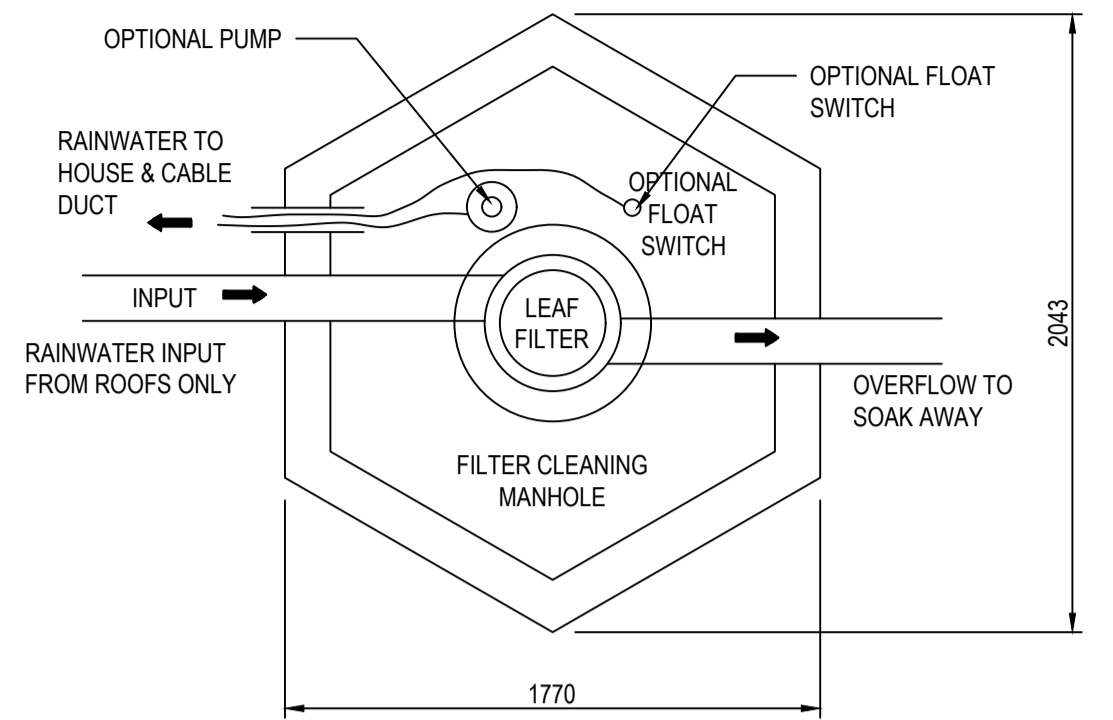
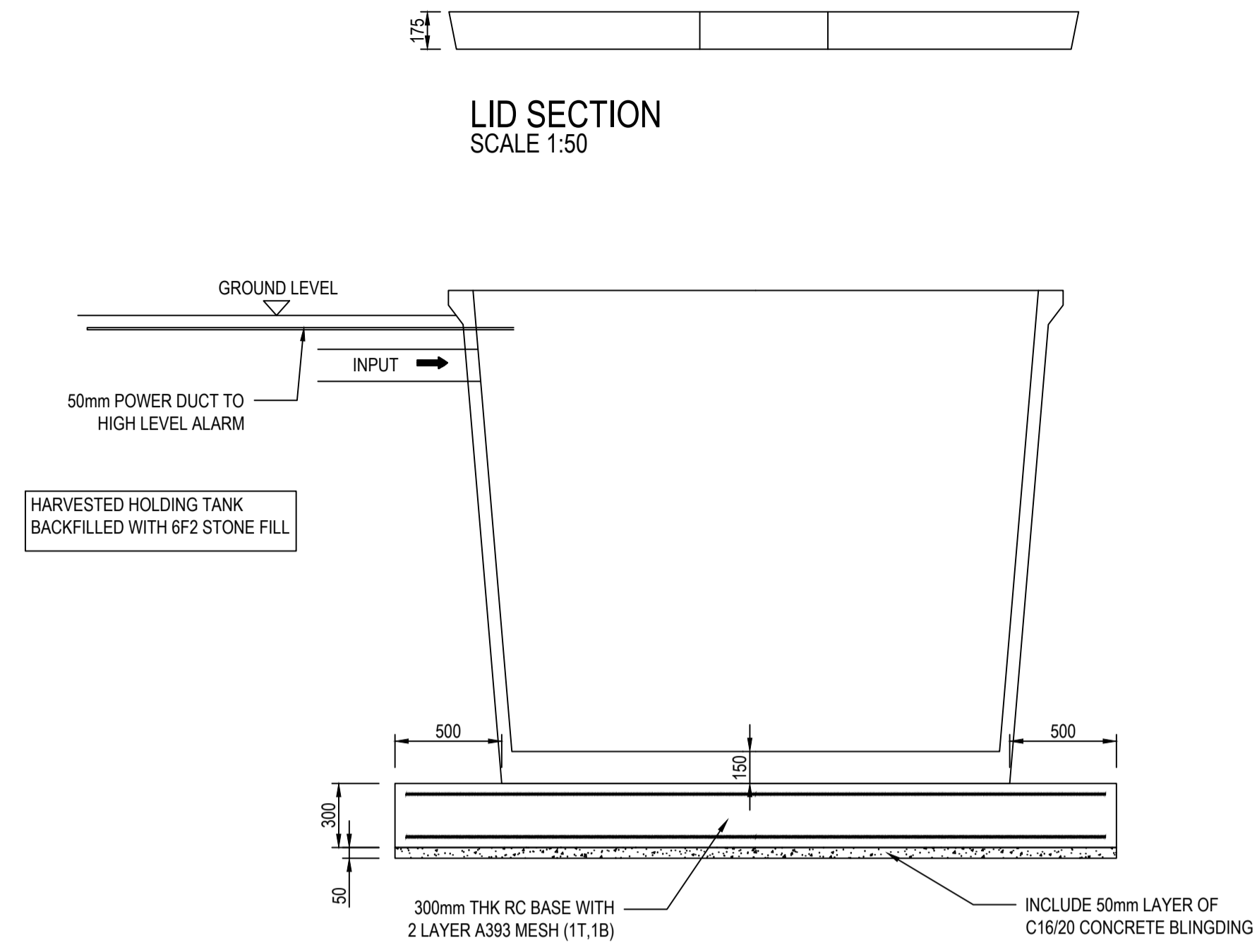


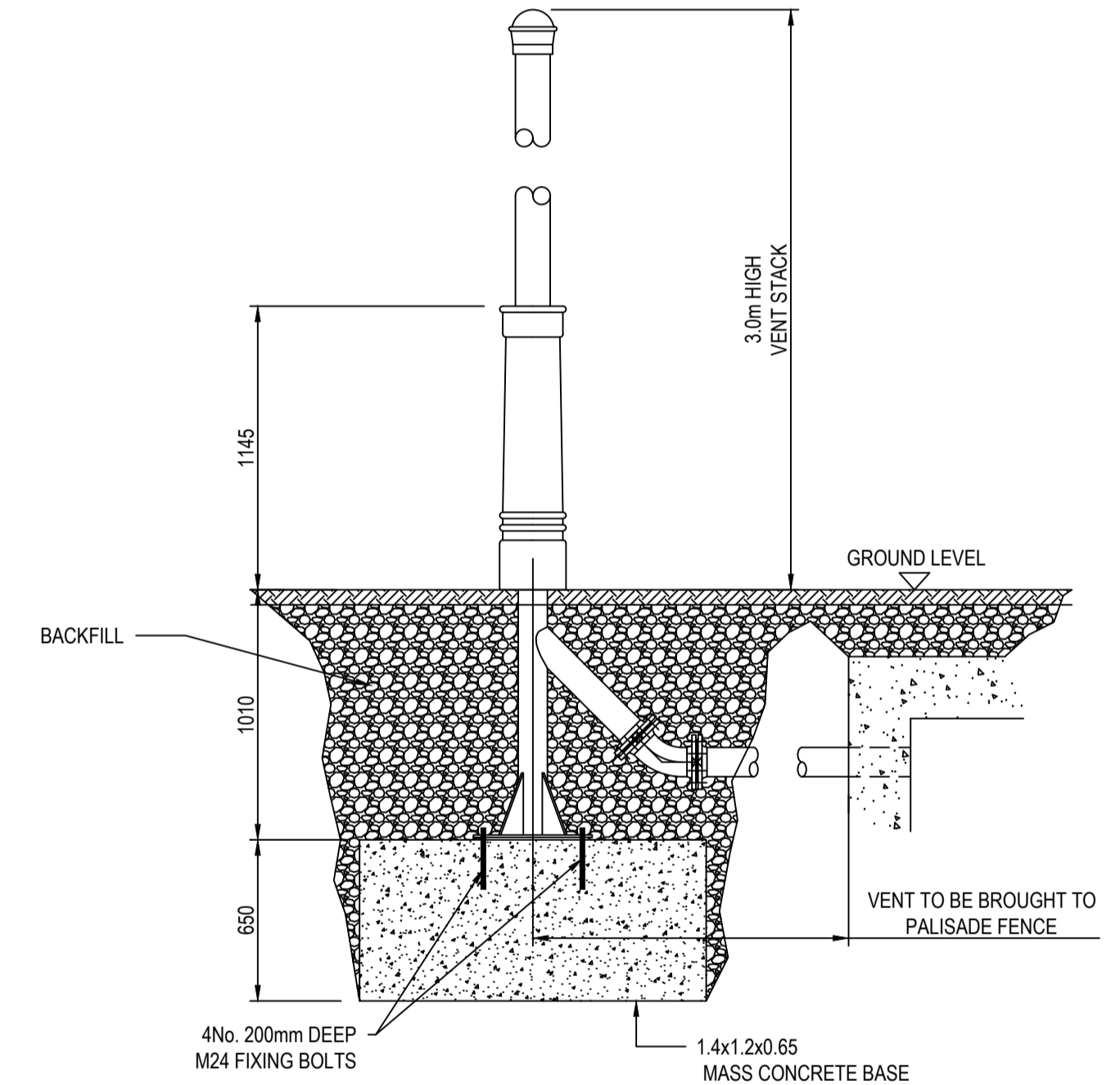
HARVESTED HOLDING TANK - SECTION  
SCALE 1:25



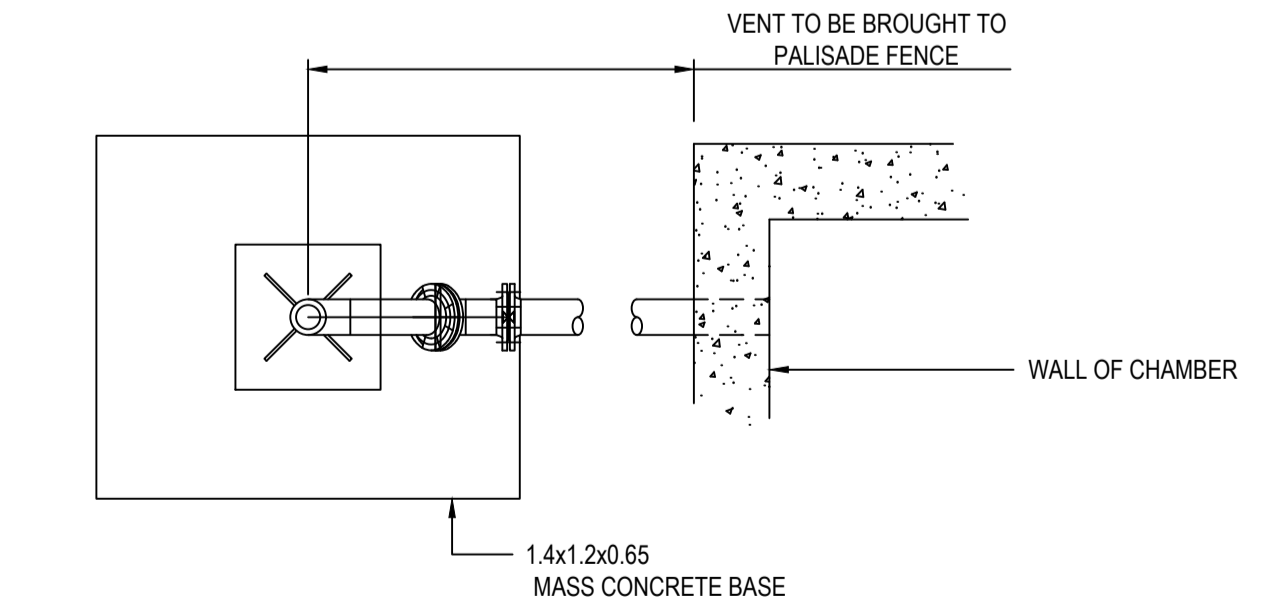
RAIN WATER HARVESTING - H+ TANK (3500 LITRES)  
SCALE 1:25



HARVESTED HOLDING TANK - SECTION  
SCALE 1:25

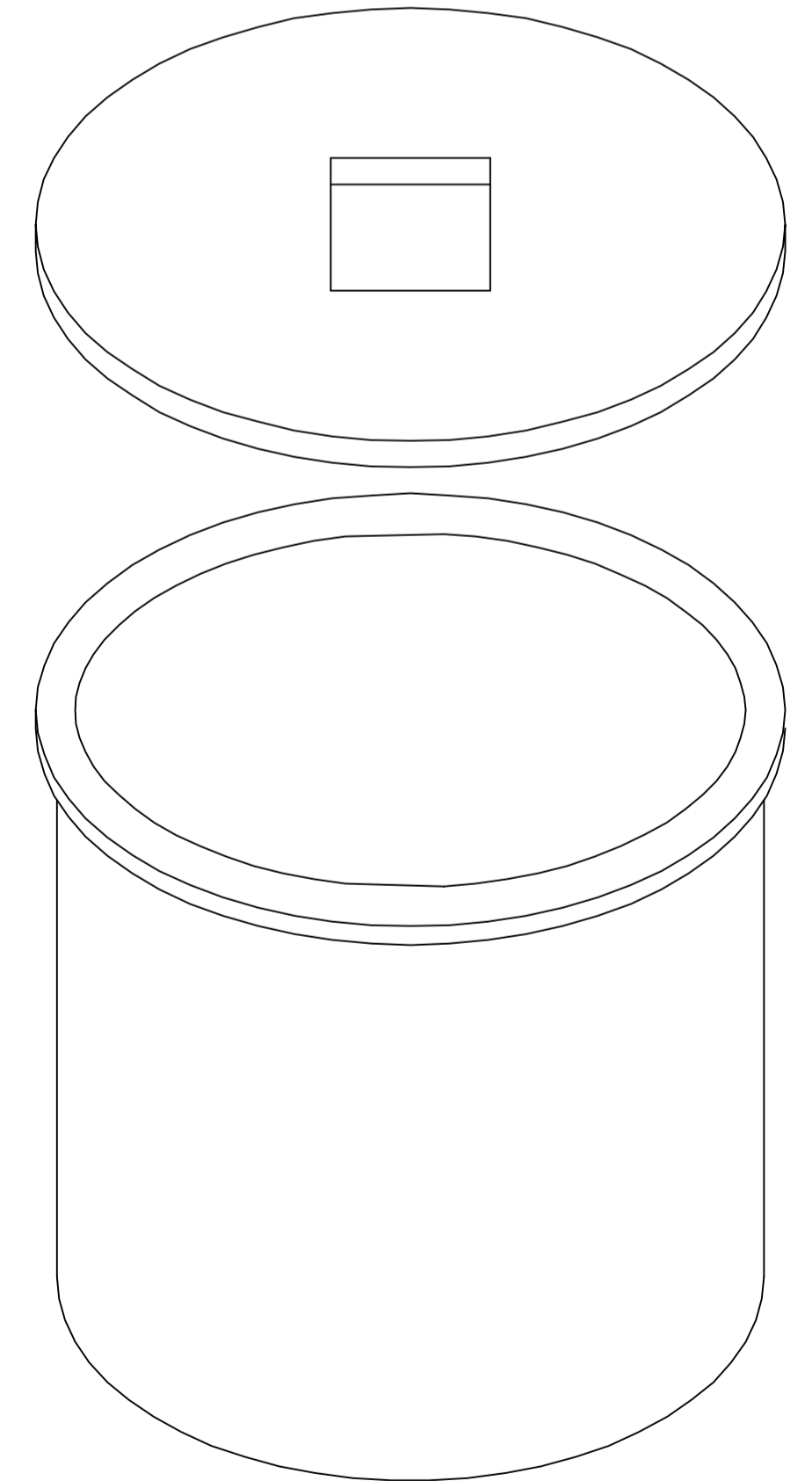


SECTION  
SCALE 1:25

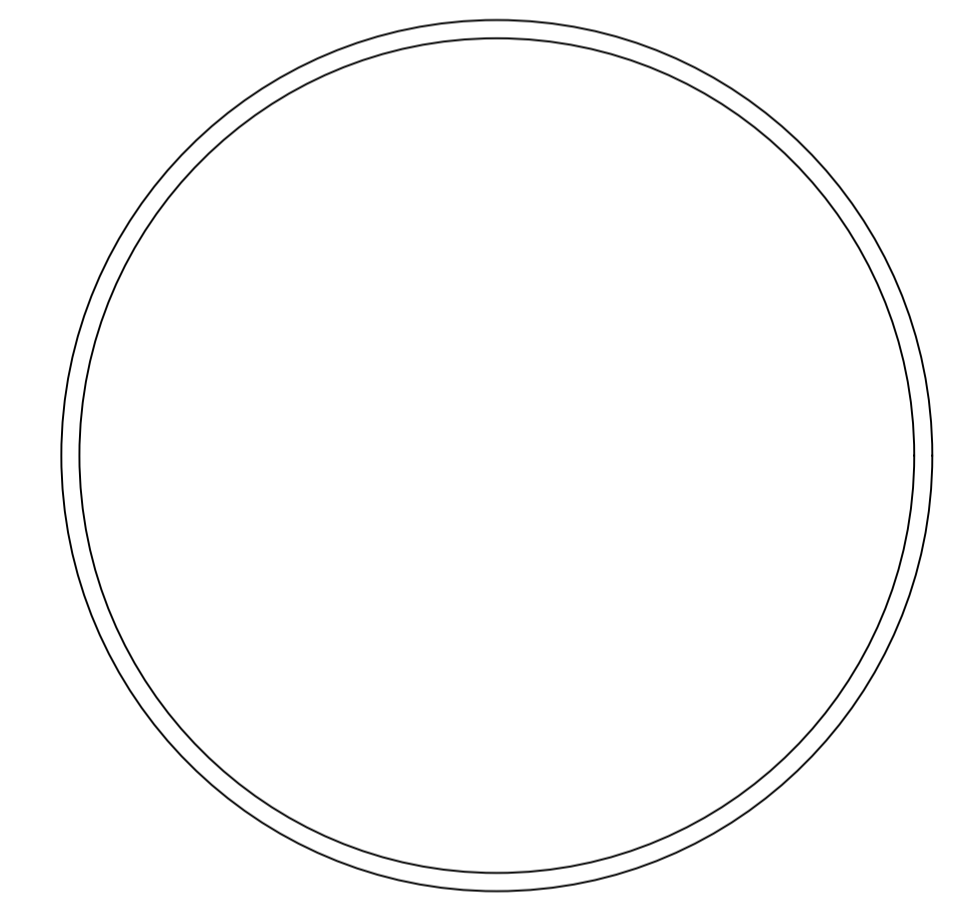


PLAN  
SCALE 1:25

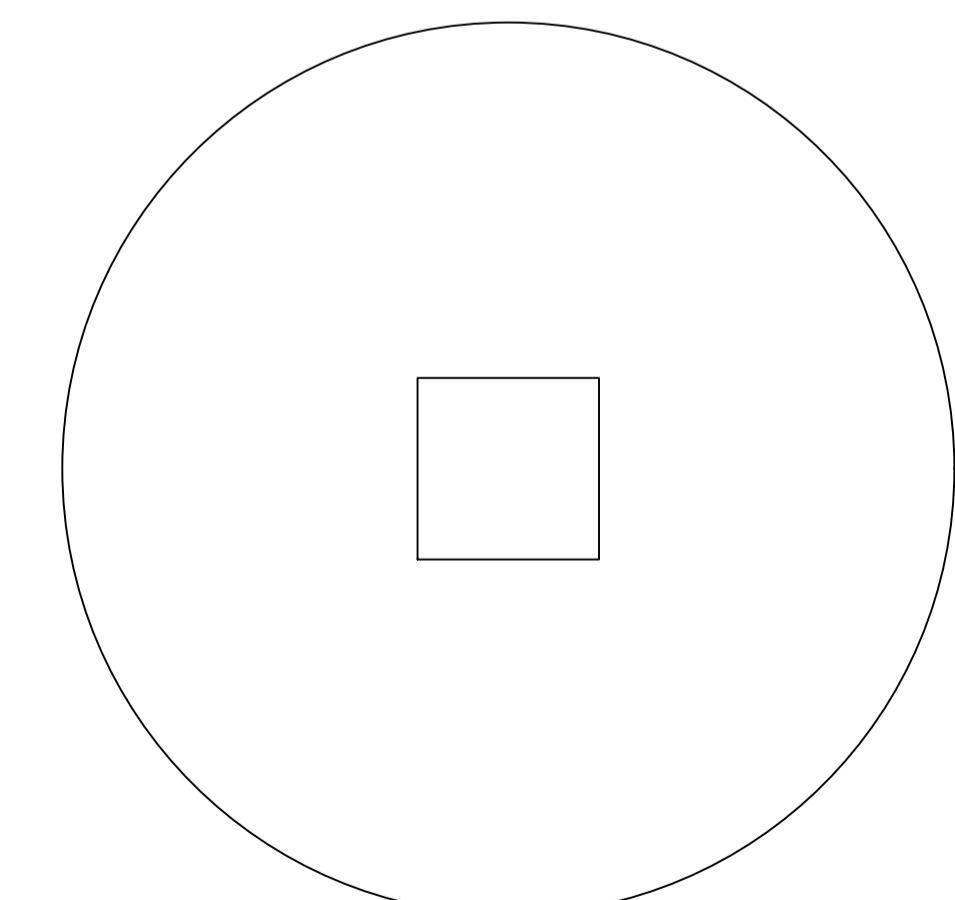
VENT STACK DETAIL



HARVESTED HOLDING TANK (VOLUME 5m3)  
SCALE 1:25



TANK TOP PLAN  
SCALE 1:25



LID TOP PLAN  
SCALE 1:25

NOTES:

Rev	Date	Description	CHK	APP
00	12/07/2023	FOR PLANNING	PS	ES

Revisions



Unit 35, McLoughlin Road, National Technology Park, Castlebar, Limerick  
Tel: 061 357496 Fax: 061 514736  
www.hmveng.ie Email: info@hmveng.ie

Project: MONVALLET HYBRID SOLAR & BESS 110KV SUBSTATION

Title: RAINWATER HARVESTING TANK

Date: 11/07/2023	Drawn: JM	Designed By: JM	Checked By: PS	Approved By: ES
------------------	-----------	-----------------	----------------	-----------------

Scale: As Shown	Project No: A10XX	Project Status: -
-----------------	-------------------	-------------------

Project Code	Originator	Volume	Level	Type	Disc	Doc. No.
A10XX	HMV	XX	XX	DR	E	0010

Status Code: -	Suitability Description: -	Revision: 00
----------------	----------------------------	--------------

COPYRIGHT H&MV ENGINEERING LIMITED  
All rights reserved. No part of this work may be amended, copied or reproduced in any form or manner or by any means whether graphic, electronic or mechanical, including but not limited to photocopying, recording, digitising, or information and retrieval systems, or used for any other purpose but its designated one, without the written consent of H&MV ENGINEERING LIMITED.