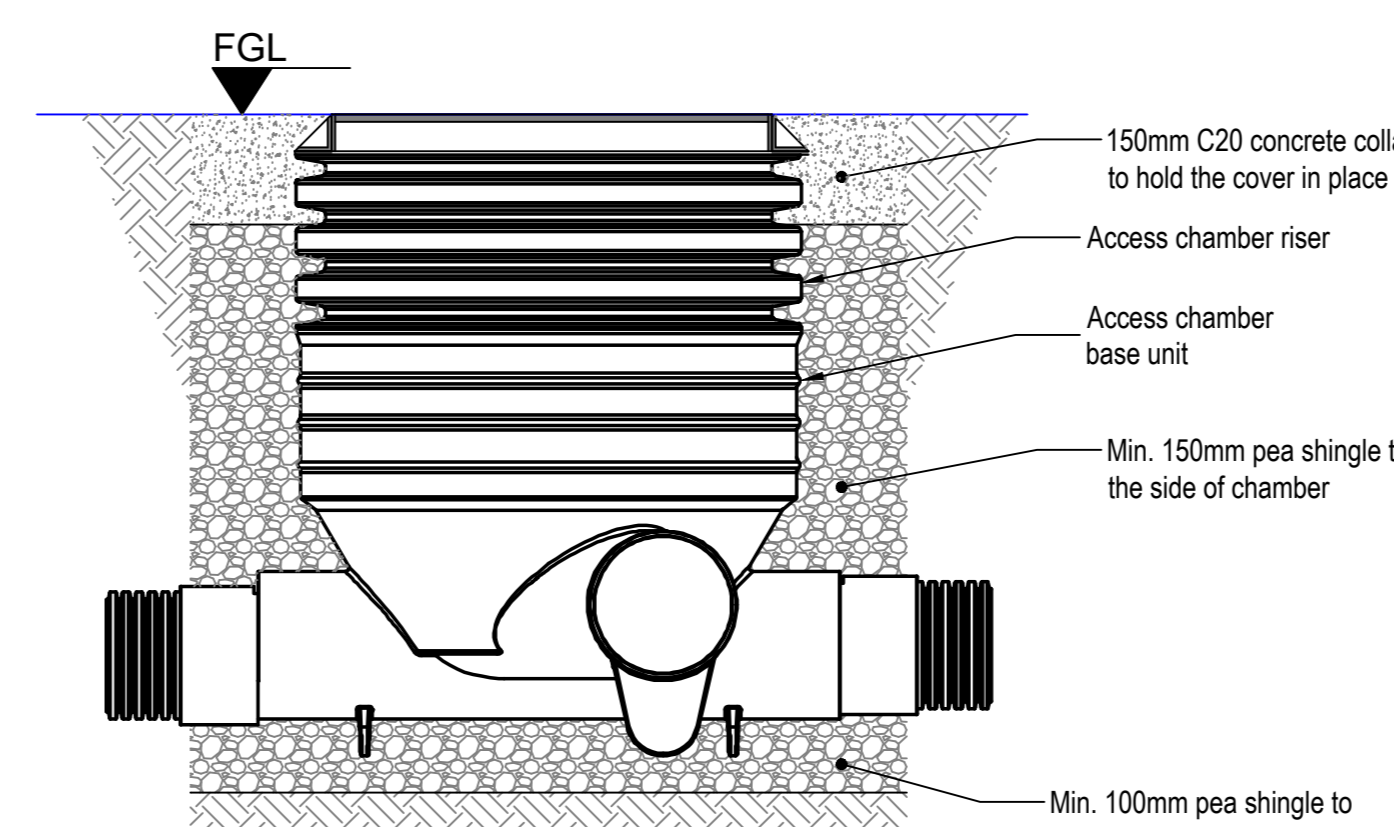
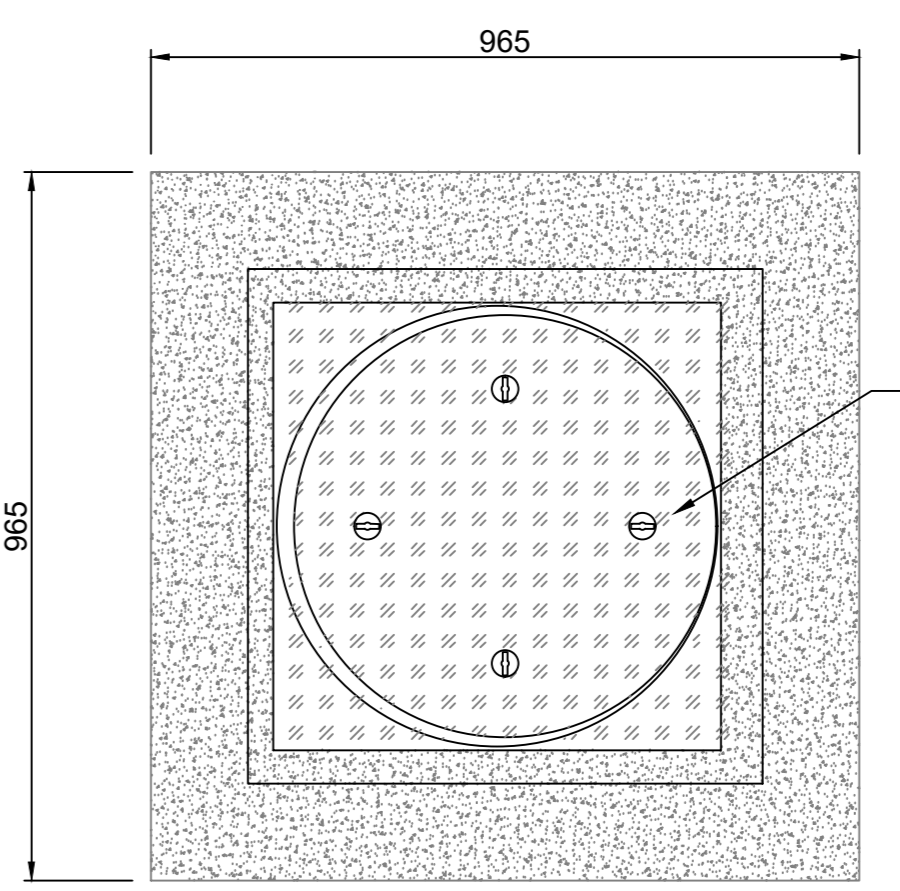


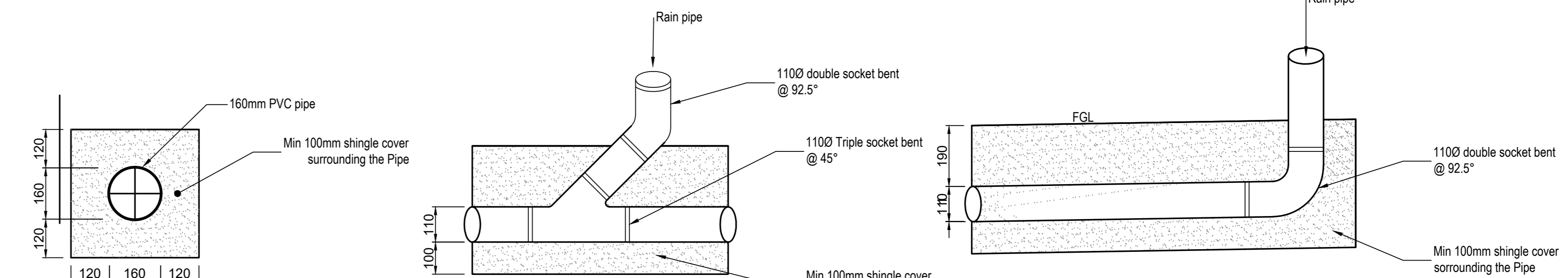
SITE DRAINAGE LAYOUT
SCALE: 1:200



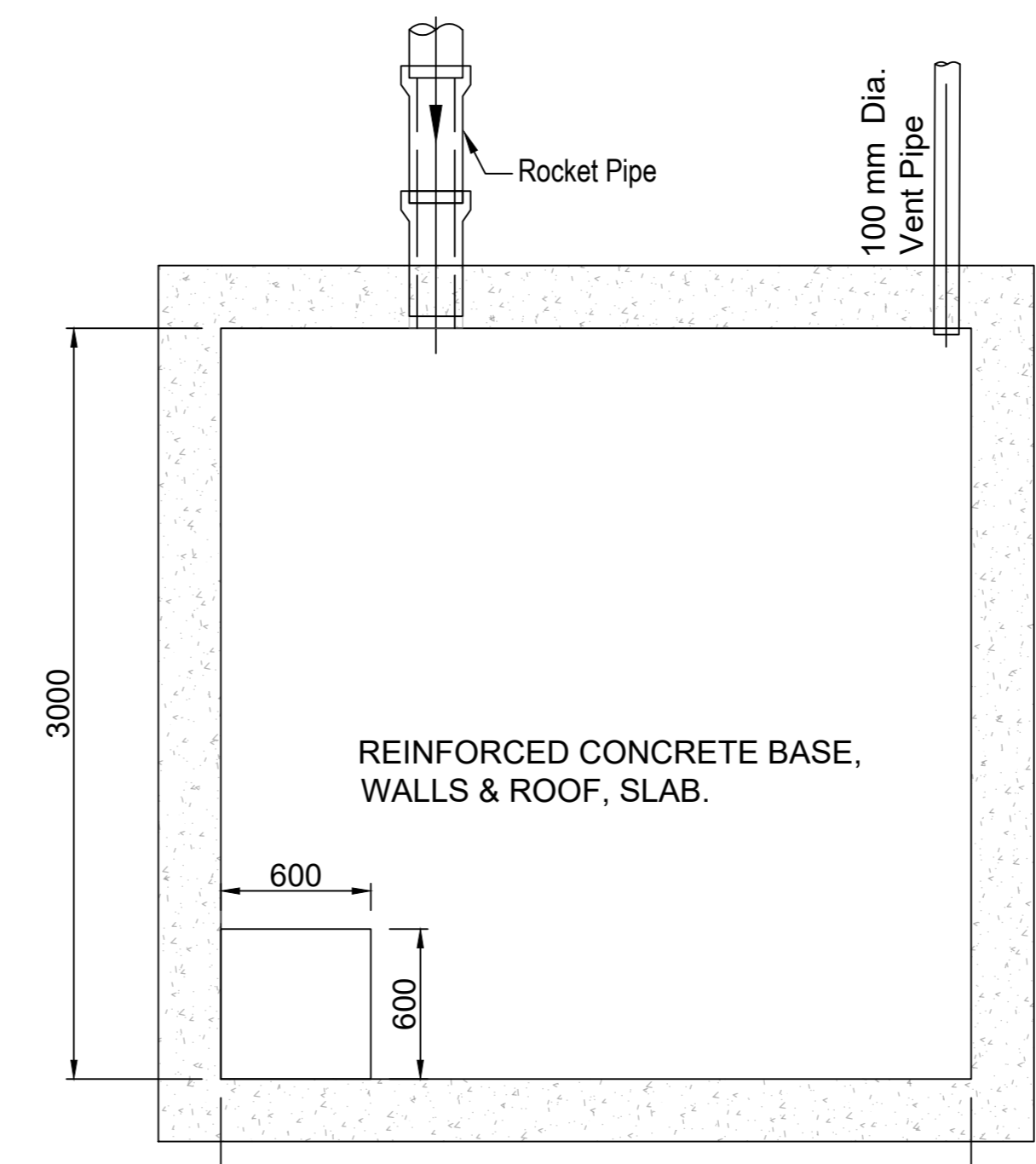
HDPE INSPECTION CHAMBER TYPICAL DETAIL
SCALE 1:10



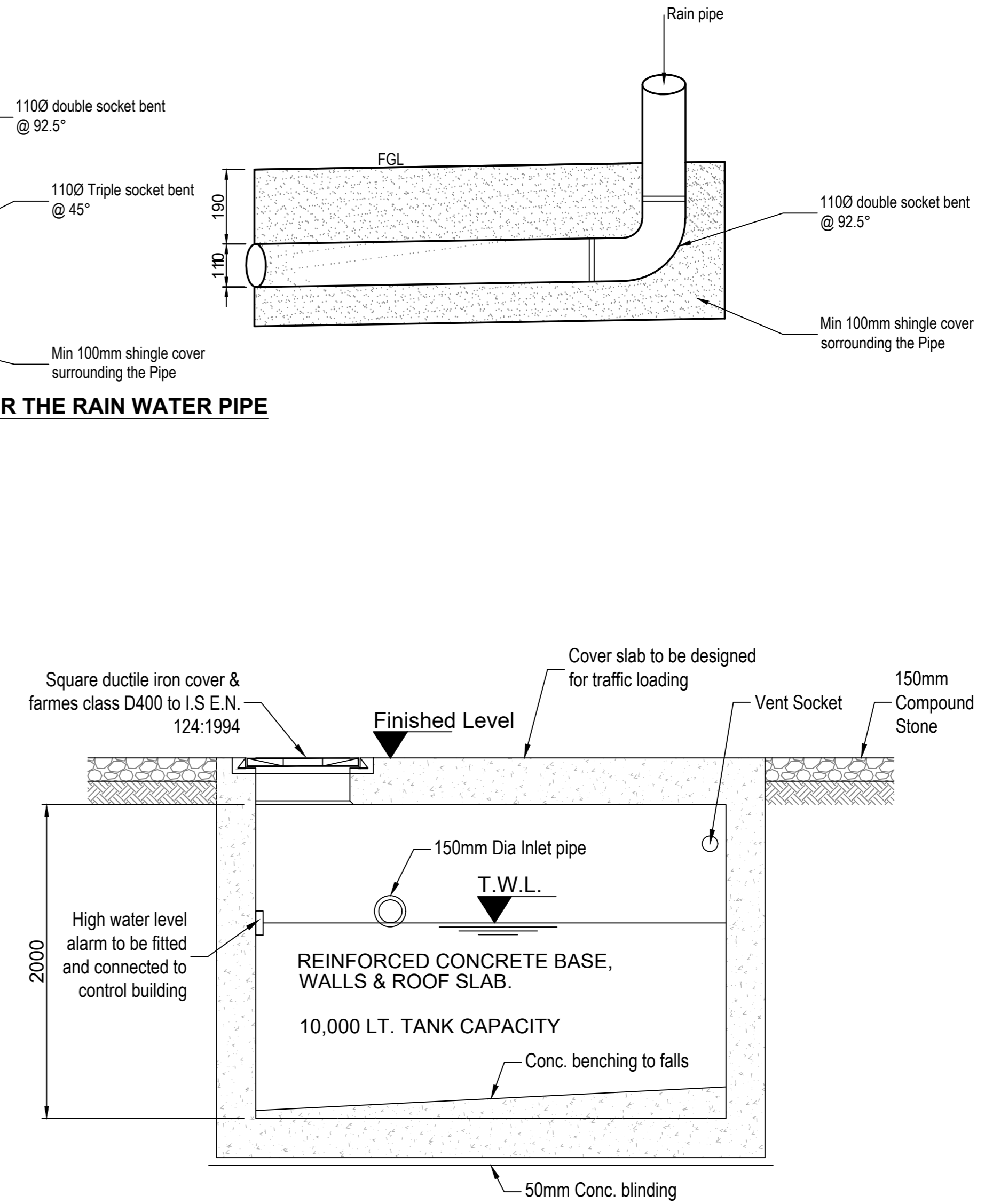
TYPICAL MANHOLE PLAN
SCALE 1:10



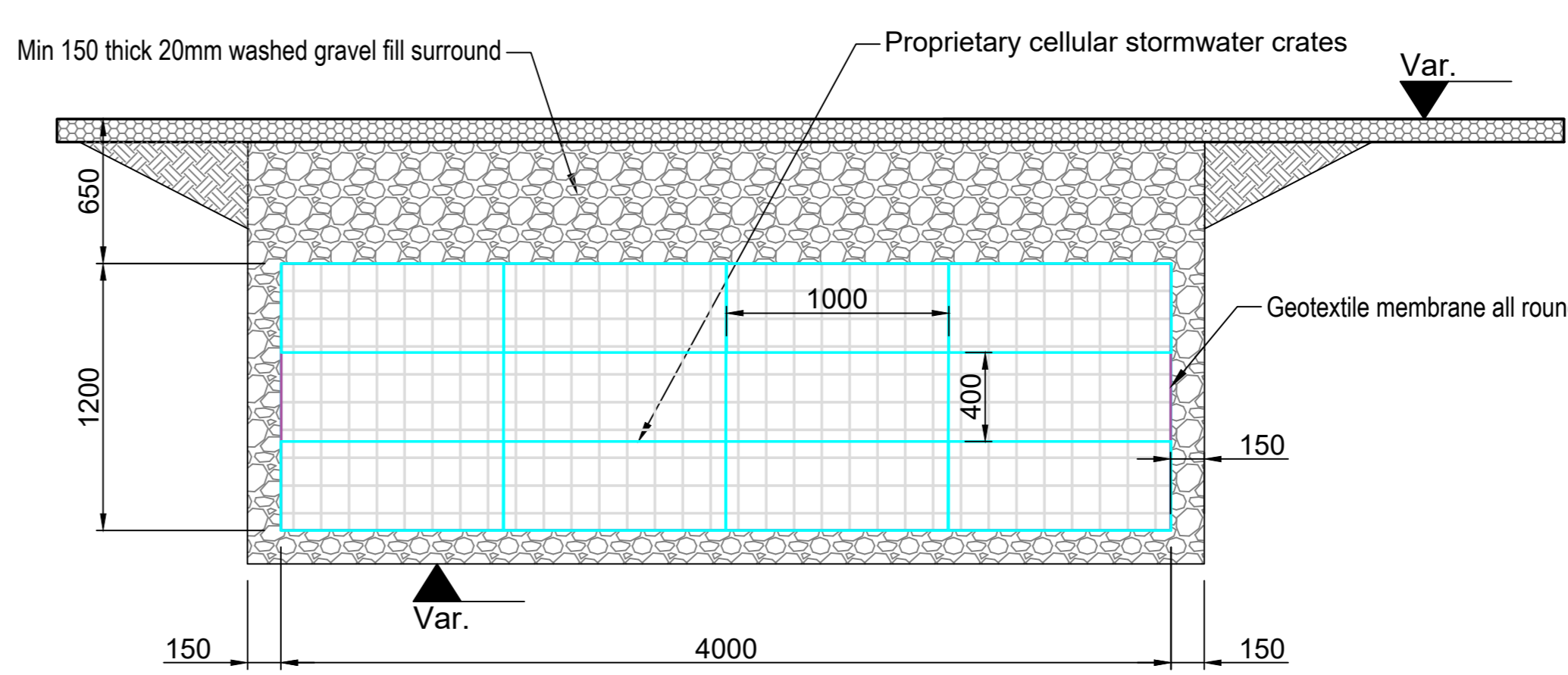
TYPICAL CONNECTION DETAILS FOR THE RAIN WATER PIPE
SCALE 1:10



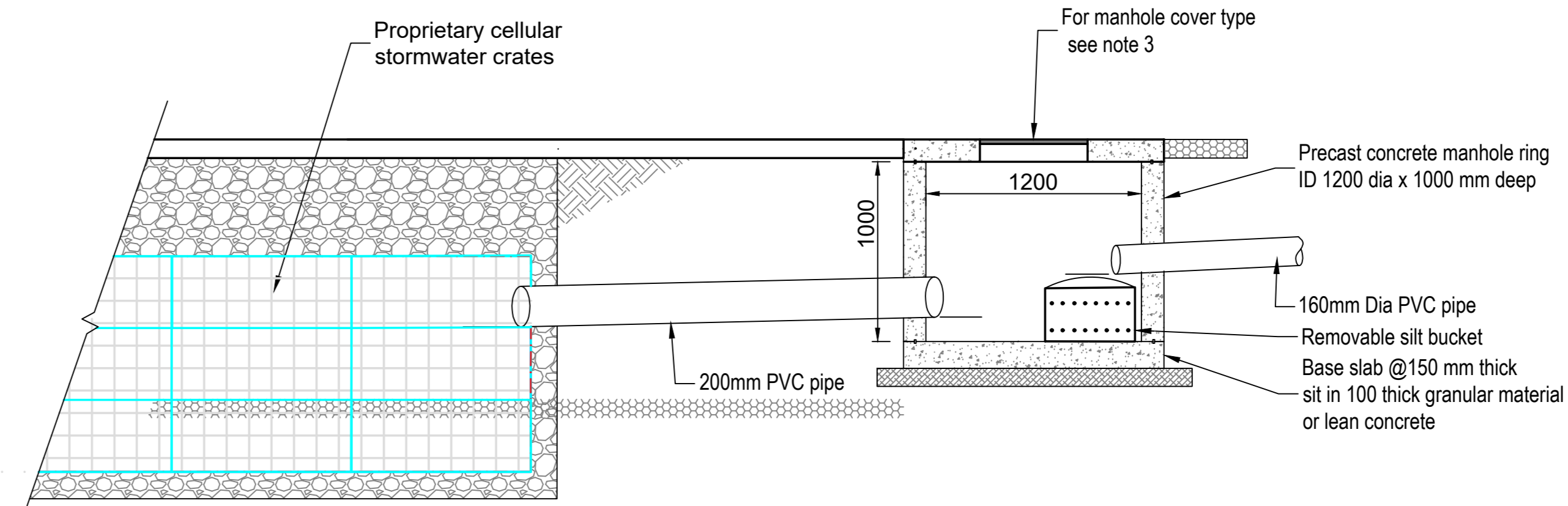
TYPICAL FOUL WATER HOLDING TANK - PLAN
SCALE 1:25



TYPICAL FOUL WATER HOLDING TANK - ELEVATION
SCALE 1:25



SECTION A-A
SCALE 1:25



CROSS SECTION OF SOAKAWAY PIT & MANHOLE
SCALE: 1:25

NOTES
1. All dimensions are in millimetres.
2. All materials to comply with Engrid Substation Civil and Building Works Specification XDS-GF-13-001-R2

LEGEND		
S.No	LEGEND	DESCRIPTION
1		PCC MANHOLE 1200 mm ID
2		HOPE INSPECTION CHAMBER 600 mm ID
3		RAIN WATER DOWN PIPE (RWP)
4		PLASTIC DRAIN PIPE
5		FOUL DRAINAGE
6		CELLULAR SOAKAWAY WITH GRATES

LEGENDS
FGL = FINISHED GROUND LEVEL
I.D = INTERNAL SIZE/DIAMETER
L.D = LAND DRAIN
IL = INVERT LEVEL
BL = BASE LEVEL
MCL = MANHOLE COVER LEVEL

Rev	Date	Description	PS	ES
02	03/08/2023	FRENCH DRAIN REMOVED AND TAGGED SECTION A.A	PS	ES
01	20/07/2023	NORTH ARROW AND FOUL DRAINAGE ADDED	PS	ES
00	12/07/2023	FOR PLANNING	PS	ES

Revisions



Project: MONVALLET HYBRID SOLAR & BESS 110 KV SUBSTATION				
Title: SUBSTATION DRAINAGE LAYOUT				
Date: 03/08/2023	Drawn: TMH	Designed By: PS	Review By: PS	Approved By: ES
Scale: 1:200, 25, 10	Project No: A10XX	Project Status:		
Project Code	Originator	Volume	Level	Type
A10XX - HMV - XX - XX - DR - E - 0006				
Status Code:	Subsity Description:	Revision:		
		02		

COPYRIGHT H&MV ENGINEERING LIMITED
All rights reserved. No part of this work may be reproduced, stored in a retrieval system, or transmitted in any form or by any means, electronic, mechanical, photocopying, recording, or by any information storage and retrieval system, without the prior written consent of H&MV ENGINEERING LIMITED.